

# Delta Port Relief Valve Manifolds

## 8530/AA8530 Series

### Application

Designed especially for use as a primary relief device on large stationary pressurized storage containers, the base is supplied with a two-inch NPT threaded container connection. These manifolds incorporate an additional relief valve, not included in the flow rating, allowing for servicing or replacement of any one of the relief valves without evacuating the container. The hand-wheel on the manifold selectively closes off the entrance port to the relief valve being removed while the remaining relief valves provide protection for the container and its contents. All manifold flow ratings are based on flow through the relief valves after one has been removed for service or replacement.

### Materials

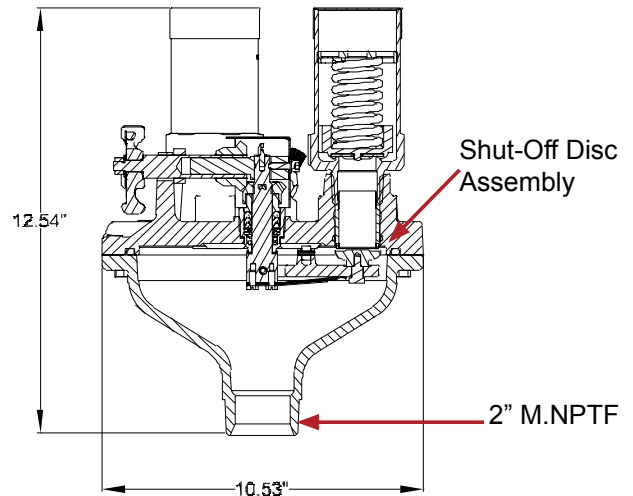
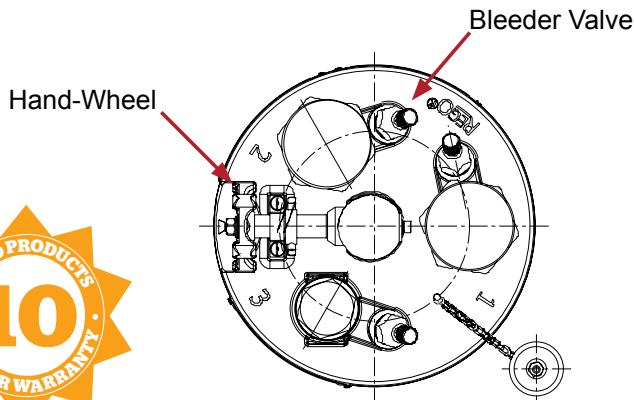
Body ..... Ductile Iron  
 Resilient Parts ..... Teflon  
 Clapper Disc ..... Stainless Steel  
 Bleeder Valve ..... Stainless Steel

### Relief Valve Materials

Body (3135) ..... Brass  
 Spring Guide (3135) ..... Brass  
 Body (AA3135) ..... Aluminum  
 Spring Guide (AA3135) ..... Aluminum  
 Spring (3135 & AA3135) ..... Stainless Steel  
 Seat Disc (3135 & AA3135) ..... Resilient Synthetic Rubber



8533AG



### Ordering Information

Part Number	Start to Discharge Setting PSIG	Application		Container Connection M.NPTF	Qty.	Relief Valve		Accessories Pipe-away Adapter**	ASME Flow Rating SCFM (air) @ 120% of Set Pressure *
		LPG	NH <sub>3</sub>			Part Number	Inlet Connection M.NPT		
8532AG	250	Yes	No	2"	2	3135MG	1/4"	3135-10	5,549 (1)
8533AG					3				11,098 (2)
AA8532MA250		No	Yes		2	AA3135MA250			6,341 (1)
AA8533MA250					3				12,682 (2)
AA8532MA265	265	No	Yes		2	AA3135MA265		AA3135-10	6,615 (1)
AA8533MA265					3				13,230 (2)

\* Flow rating based on number of relief valves indicated in parentheses ( ). Flow rates shown are for bare relief valves. Adapters and pipe-aways will reduce flow rates as discussed in forwarding information in L-500 catalog. \*\* 2" F. NPT outlet connection